

GV-BX5310-E 5MP H.264 2x zoom WDR IR Arctic Box IP Camera



- 1/2.5" progressive scan CMOS
 - Dual streams from H.264 and MJPEG
 - Up to 10 fps at 2560 x 1920
 - Day / Night function (with removable IR-cut filter)
 - Motorized varifocal lens for remote focus/zoom adjustment
 - P-Iris for auto iris adjustment
 - Intelligent IR
 - IR distance up to 50 m (164 ft)
 - Vandal resistance (IK10 for metal casing)
 - Ingress protection (IP67)
 - Wide temperature tolerance -40°C ~ 50°C (-40°F ~ 122°F)
 - Built-in heater and fan
 - TV-out support
 - One sensor input and one alarm output
 - AC 24V / DC 48V / PoE++ (50W)
 - Built-in micro SD card slot (SD/SDHC) for local storage
 - NAS Recording
 - Recording assigned by GV-Edge Recording Manager ([Windows](#), [Mac](#) version)
 - Two-way audio
 - Wide Dynamic Range (WDR)
 - 2D noise reduction
 - Defog
 - Motion detection
 - Tampering alarm
 - Privacy mask
 - Text overlay
 - IP address filtering
 - Megapixel lens
 - Support for iPhone, iPad, Android and 3GPP
 - 31 languages on Web interface
 - ONVIF (Profile S) conformant
- * No Memory Card Slot & local storage function for Argentina.
 * For optimal performance and compatibility, it is highly recommended to use a GV-NAS System.

Active Tampering Alarm

Tampered



Focus Change



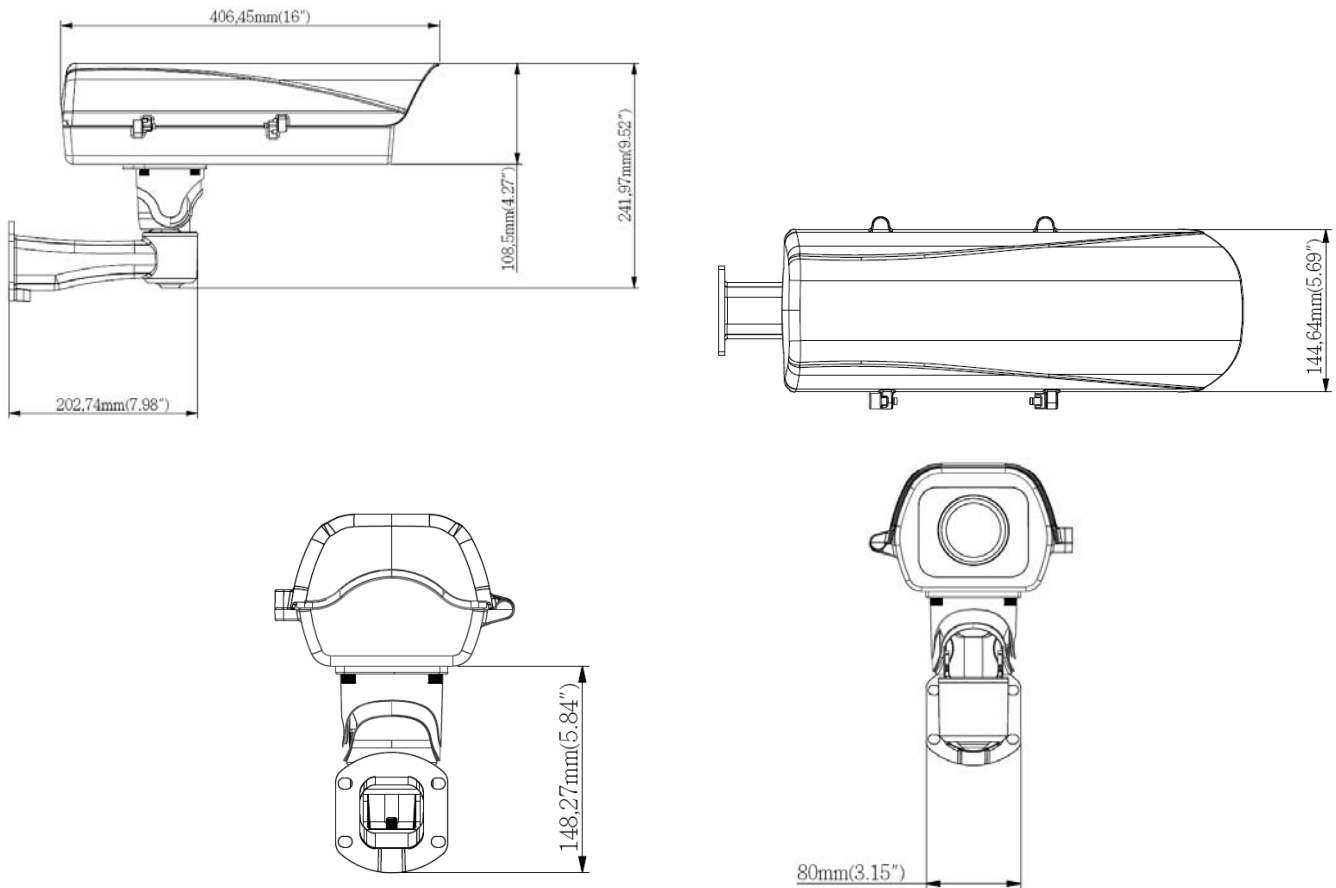
Camera Shift



Introduction

The Arctic Box Camera is specifically designed for outdoors with extreme temperatures (-40°C ~ 50°C / -40°F ~ 122°F). The camera also allows automatic and precise control of exposure using its P-iris, producing images with better clarity and contrast.

Dimensions



Specifications

Camera		
Image Sensor	1/2.5" progressive scan CMOS	
Picture Elements	2560 (H) x 1920 (V)	
Minimum Illumination	Color	0.15 Lux
	B/W	0.10 Lux
	IR ON	0 Lux
Shutter Speed	Automatic, Manual (1/5 ~ 1/8000 sec.)	
White Balance	Automatic, Manual (2800 ~ 8500K)	
Gain Control	Automatic	
S/N Ratio	45 dB	
WDR	Yes	
Dynamic Range	Up to 72 dB	
Lens		
Megapixel	Yes	
Day/Night	Yes (with removable IR-cut filter)	
Lens Type	Motorized Varifocal	
Focal Length	4.5 ~ 9 mm	
Maximum Aperture	F/1.2	
Mount	Ø 14 mm	
Image Format	1/2.7"	
Horizontal FOV	70°~39°	
Operation	Focus	Auto focus
	Zoom	2X optical zoom
	Iris	P-Iris
IR Quantity	4	
Max. IR Distance	50 m (164 ft)	

Operation		
Video Compression		H.264, MJPEG
Video Stream		Dual streams from H.264 and MJPEG
Frame Rate		10 fps at 2560 x 1920 * The frame rate and performance may vary depending on the number of connections and data bitrates (different scenes).
Image Setting		Brightness, Contrast, Saturation, Sharpness, Gamma, White Balance, Flicker-less, Image Orientation, Shutter Speed, D/N Sensitivity, Backlight Compensation, WDR, Defog, Denoise, Metering
Audio Compression		G.711, AAC (optional)
Audio Support		Two-Way Audio
Sensor Input		1 input (Dry Contact)
Alarm Output		1 Digital Output (200mA 5V DC)
Video Resolution		
Main Stream	4:3	2560 x 1920, 2048 x 1536, 1600 x 1200, 1280 x 960, 640 x 480, 320 x 240
	16:9	1920 x 1080, 1280 x 720, 640 x 360, 448 x 252
	5:4	1280 x 1024, 640 x 512, 320 x 256
Sub Stream	4:3	640 x 480, 320 x 240
	16:9	640 x 360, 448 x 252
	5:4	640 x 512, 320 x 256
Network		
Interface		10/100 Ethernet
Protocol		HTTP, HTTPS, TCP, UDP, SMTP, FTP, DHCP, NTP, UPnP, DynDNS, 3GPP/ISMA, RTSP, PSIA, SNMP, QoS (DSCP), ONVIF (Profile S)
Mechanical		
Camera Angle Adjustment	Pan	0° ~ 270°
	Tilt	0° ~ 90°
Temperature Detector		Yes
Connectors	Power	2-pin terminal block, PoE
	Ethernet	Ethernet (10/100 Base-T), RJ-45 cable
	Audio	1 In (Stereo phone jack, 3.5 mm / 0.14") 1 Out (Stereo phone jack, 3.5 mm / 0.14")
	Digital I/O	I/O wires
	Local Storage	Micro SD card slot (SD/SDHC, SD version 2.0 only, Class 10) *SDXC and UHS-I card types are not supported
LED Indicator		BNC connector (640 x 480 resolution)
LED Indicator		2 LEDs: Status, Power
General		
Environment Temperature	Start-up	-30°C ~ 50°C (-22°F ~ 122°F)
	Operation	-40°C ~ 50°C (-40°F ~ 122°F)
Humidity		10% to 90% (no condensation)
Power Source		AC 24V, DC 48V, PoE++ (50W)
Max. Power Consumption		50 W
Dimensions (L X W X H)	Camera Body	406 x 145 x 109 mm (16" x 5.7" x 4.3")
	Cable Length	1 m (39.4")
Weight		3.32 Kg (7.32 lb)
Heater On		On: -40 °C ~ -4 °C (-40 °F ~ 24.8 °F) Off: -3 °C (26.6 °F)
Fan		Constantly on
Ingress Protection		IP67
Vandal Resistance		IK10 for metal casing
Regulatory		CE, FCC, RCM, RoHS compliant
Power over Ethernet		
PoE Standard		PoE++ (High Power over Ethernet)
PoE Power Supply Type		End-Span
PoE Power Output		Per Port 56V DC, 1050mA. Max. 60 watts
Web Interface		
Installation Management		Web-based configuration
Maintenance		Firmware upgrade through Web Browser or Utility

Access from Web Browser	Camera Live View, Video Recording, Change Video Quality, Bandwidth Control, Image Snapshot, Digital I/O Control, Audio, Picture in Picture, Picture and Picture, Privacy Mask, Visual Automation, Tampering Alarm, Text Overlay, Digital PTZ
Language	Arabic / Bulgarian / Czech / Danish / Dutch / English / Finnish / French / German / Greek / Hebrew / Hungarian / Indonesian / Italian / Japanese / Lithuanian / Norwegian / Persian / Polish / Portuguese / Romanian / Russian / Serbian / Simplified Chinese / Slovakian / Slovenian / Spanish / Swedish / Thai / Traditional Chinese / Turkish
Applications	
Network Storage	GV-System (GV-DVR/NVR), GV-Backup Center, GV-Recording Server, GV-VMS
Smart Device Access	GV-Eye for iOS and Android
Live Viewing	IE, mobile phone
CMS Server support	GV-Center V2, GV-Control Center, GV-Vital Sign Monitor

Note:


- Specifications are subject to change without prior notice.
- Mind the following when using an inserted memory card for recording:
 - Recorded data on the memory card can be damaged or lost if the data are accessed while the camera is under physical shock, power interruption, memory card detachment or when the memory card reaches the end of its lifespan. No guarantee is provided for such causes.
 - The stored data can be lost if the memory card is not accessed for a long period of time. Back up your data periodically if you seldom access the memory card.
 - Memory cards are expendable and their durability varies according to the conditions of the installed site and how they are used. Back up your data regularly and replace the memory card annually.
 - To avoid power outage, it is highly suggested to apply a battery backup (UPS).
 - For better performance, it is highly suggested to use Micro SD card of MLC NAND flash, Class 10.
 - Replace the memory card when its read/write speed is lower than 6 MB/s or when the memory card is frequently undetected by the camera.

Packing List

- | | |
|-------------------------|--|
| 1. IR Arctic Box Camera | 7. Adhesive Tape |
| 2. Screw Anchor x 4 | 8. Power Adapter (48V DC, 2.5A, 120W max.) |
| 3. Screw x 4 | 9. GV-IPCAM H.264 Software CD |
| 4. Washer x 4 | 10. GV-IPCAM H.264 Quick Start Guide |
| 5. 5 mm Torx Wrench | 11. GV-NVR Software DVD |
| 6. Silica Gel Bag | 12. GV-NVR Quick Start Guide |

Accessories

Model No.	Name	Details
GV-Mount300	Convex Corner Adapter Kit	Dimensions: 238.6 x 409.5 mm (9.4" x 16.1") Weight: 4.27 Kg (9.41 lb)
		
GV-Mount310	Concave Corner Adapter Kit	Dimensions: 238.6 x 409.5 mm (9.4" x 16.1") Weight: 4.27 Kg (9.41 lb)
		
GV-Mount400	Pole Mount Bracket Kit (∅ 4" ~ 6")	Dimensions Bracket: 241 x 161 mm (9.5" x 6.3") Weight: 1.70 Kg (3.75 lb) Steel Strap Diameter: ∅ 4" ~ 6"
		

Model No. Name	Name	Details
GV-Mount410	Pole Mount Bracket Kit (Ø 6" ~ 7.5")	<p>Dimensions</p> <p>Bracket: 241 x 161 mm (9.5" x 6.3")</p> <p>Weight: 1.70 Kg (3.75 lb)</p> <p>Steel Strap Diameter: Ø 6" ~ 7.5"</p>
		
GV-POE Switch		The GV-POE Switch is designed to provide power along with network connection for IP devices. The GV-POE Switch is available in various models with different numbers and types of ports.
GV-PA482 PoE Adapter		The GV-PA482 PoE adapter is designed to provide power and network connection to GV-BX2510-E / 5310-E over a single Ethernet cable.